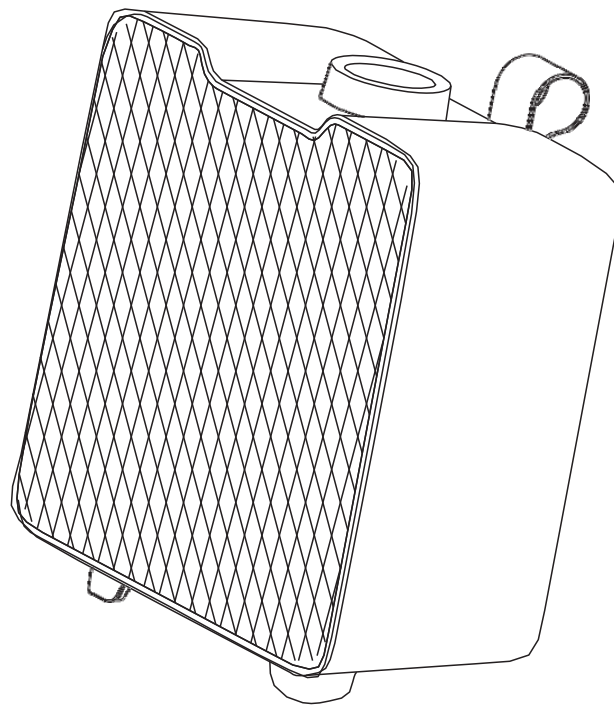




Ceramic Heater 陶瓷暖風機

OPERATION MANUAL 使用說明書

RA-CH18WS



僅供家庭使用 For Household Use Only


使用前請先詳細閱讀本說明書，並保存以便日後參考。

本說明書中所有圖示僅供參考。

Please read this user manual before using the product and retain it for your future reference.

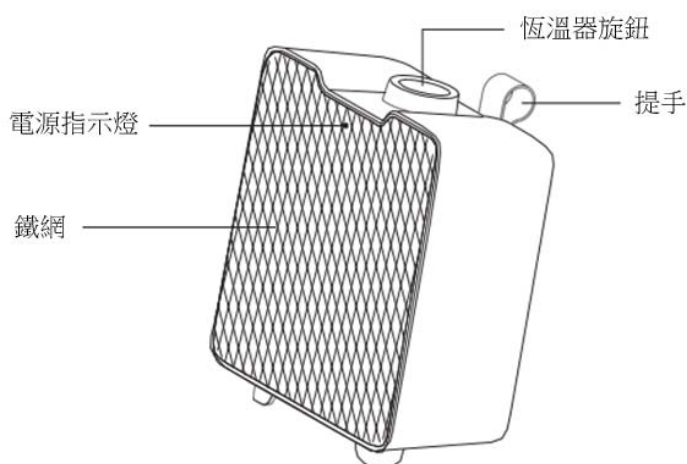
All the pictures in this manual are for reference only.

安全注意事項 (務必詳細閱讀及遵守安全指導)

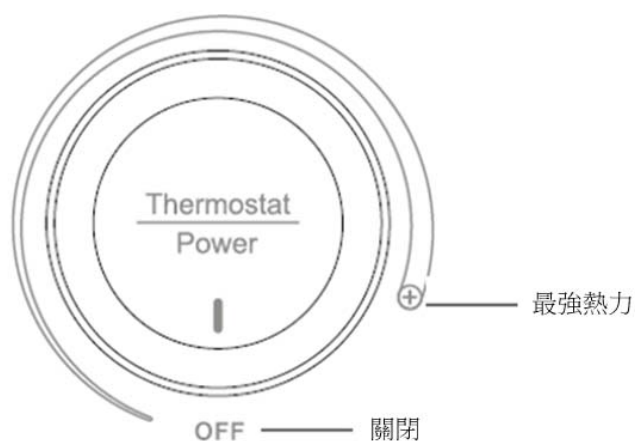
1. 使用本產品時，須嚴格遵守以下注意事項。
 - 不遵循或忽視這些安全注意事項會導致火災、觸電或個人傷害。
2. 用戶必須使用有安全認證的合格插座，否則，可能會引起火災的危險。
3. 此設備可供 8 歲以上兒童，肢體、感官、心智殘缺或缺乏經驗和知識的人使用，但他們必須已獲得監督或安全使用該設備的指導，並且了解其中的危害。兒童不應將本產品用於玩耍。不得讓兒童在沒有監督的情況下進行清潔和保養。
4. 拔掉電源線插頭時須緊握，切勿拉扯電線。
5. 警告：行動不便的人不可在狹小空間使用本產品，除非有對其安全負責的人進行持續監督。
6. 警告：為減少觸電的潛在危險，將插頭插在正確的電源插座上。若產品的插頭與插座不能完全匹配，應諮詢專業和合資格的技術人員。
7. 確保電源插頭完全插入插座，否則會引致觸電或插頭過熱而造成火災。
8. 要定期清除電源插頭及插座上之灰塵，否則引致絕緣不良而導致火災。
9. 若電源線或插頭損壞時，切勿使用本機。避免危險，必須交由信興電器服務中心有限公司維修。如果電源線損壞或產品出現故障，必須交由信興電器服務中心有限公司維修，以避免危險。切勿私自拆卸、維修，或更換非生產商提供的配件。
10. 切勿過度擰捏，彎曲或扭轉電源線，否則線芯可能會曝露在外或折斷，從而導致觸電、短路、火災和產品損壞。
11. 每次使用此產品前，必須確保電源線是完全鬆開的。避免使用延長電源線，因為延長電源線可能會過熱而導致火災風險。另外，切勿在同一插座上使用多於一個暖風機或其他裝置，因為插座可能會負荷過重。
12. 嚴禁讓機體沾水，否則會導致漏電、短路、產品損壞及導致火災的可能。
13.  警告：為避免過熱，切勿覆蓋此產品。
14. 切勿將物品放置在機體上。
15. 手濕時切勿接觸產品，否則有觸電的危險。
16. 切勿讓手指或導電物體插入機體任何通氣口，以免導致觸電、身體損傷、火災或損壞機體。
17. 避免震動或震盪機身。
18. 切勿在戶外地方使用此產品，此產品僅供室內使用。
19. 切勿在陽光直射下使用產品。
20. 電源線要擺放好，防止行走時絆倒。
21. 產品要放在水平、平坦及穩定的地面上使用，確保產品運轉時不會碰到障礙物。
22. 使用暖風機時，切勿將頭髮或窗簾等柔軟物件貼近本產品，以免捲入扇內，發生危險。

23. 嚴禁在以下場所使用此產品：接近氣體爐具/有易燃氣體的地方/有雨淋或容易被滴水的地方/接近殺蟲劑的地方/油性的腐蝕性溶劑附近/高溫的地方/潮濕的地方/靠近化學物品、油、多塵的地方。
24. 切勿將水倒入機器或將濕衣服掛在機器上，避免發生漏電及觸電危險。嚴禁將易燃物及濕的衣物覆蓋在機器出風口上，避免發生火災或觸電危險。
25. 切勿向產品噴灑溶劑或易燃液體，否則可能使產品受損。
26. 切勿在浴缸、花灑頭或游泳池的範圍使用。
27. 如產品曾經跌落，切勿使用。
28. 為了安全起見，當人離開產品時，必須關機，以免發生意外事件。當沒有人使用此產品時，請拔除電源。
29. 產品不得直接置於電源插座下面。
30. 避免將產品出風口長時間直接向幼兒吹風。
31. 清潔和保養產品前，必須先切斷電源並拔掉電源線插頭。
32. 清潔產品時，可用沾有溫和清潔劑的濕布抹擦，不要有腐蝕性的洗滌劑或溶劑之類清潔。請勿將水倒入機器中。
33. 警告：為降低火災風險，不可將本機進、出風口貼近牆壁或窗簾。將紡織窗簾或任何其他易燃材料與產品出風口保持至少 1 米的距離。
34. 本機在使用一段時間後，若出現異聲或風速不均勻的現象，可能是後殼進風口處的灰塵太多阻塞了氣流，此時用毛刷清潔一下後即可恢復正常。
35. 產品長期不使用時，應拔下電源插頭，包好本機防止灰塵進入機內，並放置乾燥通風清潔處存放。
36. 除非受到監督，否則應置於遠離 3 歲以下兒童。
37. 當本產品被放置或安裝在正常工作位置時、在有對其安全負責的人的指導或協助、並確保使用者的安全及其明白當中潛在危險的前提下，3 至 8 歲的兒童只可開啟/關閉本產品。3 至 8 歲的兒童不可調節、清潔、保養本產品，亦不可把本產品的插頭連接電源。
38. 在操作面板損壞時不得使用。
39. 注意：本產品的某些部位使用時會變得非常熱，並可能導致燙傷，兒童及易受傷害人士應特別注意。
40. 如果暖風機有明顯的損壞跡象，切勿使用。

部件名稱



操作面板



- 注意，暖風機的提手不可掛在掛鈎上使用。

清潔和保養

警告：在移動或維修暖風機前，請必須先拔除電源線。切勿把暖風機浸入水中！

每月清潔暖風機至少一次，如果骯髒，須勤加清潔。

用附有吸塵刷的吸塵機清潔暖風機的進風和出風格柵，這樣能把暖風機內的棉絮和骯髒物從內部徹底清除。

切勿嘗試拆解暖風機。

切勿拿走格柵護罩或在沒有格柵護罩的情況下使用暖風機。

請用柔軟抹布清潔產品機身。(切勿使用研磨劑、酒精或溶劑)

儲存

不使用暖風機時，把本說明書和暖風機放進原裝的包裝箱內，並放置在乾爽和陰涼的地方。

必須確保暖風機完全降溫後，才把它收藏。

操作說明

把產品放在一個穩定的平面上使用。把電源插頭連接到一個獨立的電源插座上 (220V-240V~50Hz)。

開啟：將恆溫器旋鈕刻度順時針方向旋轉，暖風機開始工作，電源指示燈亮起。

關閉：將恆溫器旋鈕刻度逆時針方向旋轉至“OFF”位置，暖風機停止工作，電源指示燈熄滅，然後拔下插頭。

暖風功能的安全裝置

1. 產品內置的過熱保護器，可防止機體過熱情況出現。
2. 溫度過熱時，產品會自動關閉，直至重設產品時，才會重新啟動。
3. 當暖風機向任何方向傾倒或被提起時，防傾倒保護裝置會自動中斷電源。防傾倒保護裝置設置在機器內部，由一個滾珠式開關控制，當搖晃機器時，此開關滾動並產生響動，是正常的。

疑難排除

如以下方法仍未能使產品恢復正常操作，切勿嘗試自行維修，請聯絡信興電器服務中心有限公司進行檢查及維修。

1. 如暖風機突然關掉或停止運作，可能已啟動上述其中一項安全裝置，防止機身過熱。
2. 確保電源線已接駁到運作正常的插座上。
3. 如有障礙物須先移離。
4. 恆溫器旋鈕刻度在“OFF”位置。

規格

產品型號	RA-CH18WS
顏色	白色
額定電壓	220-240V 伏特 ~
額定頻率	50 赫茲
額定功率	1800 瓦
外型尺寸 (寬×深×高)	181.6 x 101.1 x 201.4 毫米
淨重	1 公斤(約)

特別聲明

1. 本資料上所有內容經過認真核對，如有任何印刷及內容上的誤解，本公司將保留解釋權。
2. 本產品若有技術改進，會編進新版說明書中，恕不另行通知；產品外觀及顏色如有改動，則以實物為準。
3. 用戶如需要電子版使用說明書，請致電信興電工工程有限公司熱線查詢：2861 2767。


售後服務

由購買日期起之一年保修期內，經信興電器服務中心有限公司之服務人員證實乃在正常使用之情況下發生者，本公司將提供免費修理及更換零件。經更換之任何損壞零件，將歸屬本公司。保修範圍不包括修理或更換產品之附件、電源線及機殼等。如有需要服務時，用戶須另付費用。

用戶請於維修時出示購買收據 / 換購收據及保修證，如有任何疑問，請致電信興電器服務中心有限公司熱線查詢：2406 5666。

如在保修證內所列之電器：1) 曾經被非本公司技術人員明顯地或非明顯地進行改裝、更改或修理；或 2) 曾經被錯誤或不適當或疏忽使用、或因液體浸蝕、水濺、不正常供電、天災、意外或外來因素造成損壞；或 3) 並非安裝在陸上固定地點；或 4) 不當安裝位置影響正常操作；或 5) 非工商業用型號產品，被用作工商業用途；或 6) 用戶搬遷地址或更換物主而未能及時通知信興電器服務中心有限公司者，保修證將自動失效。

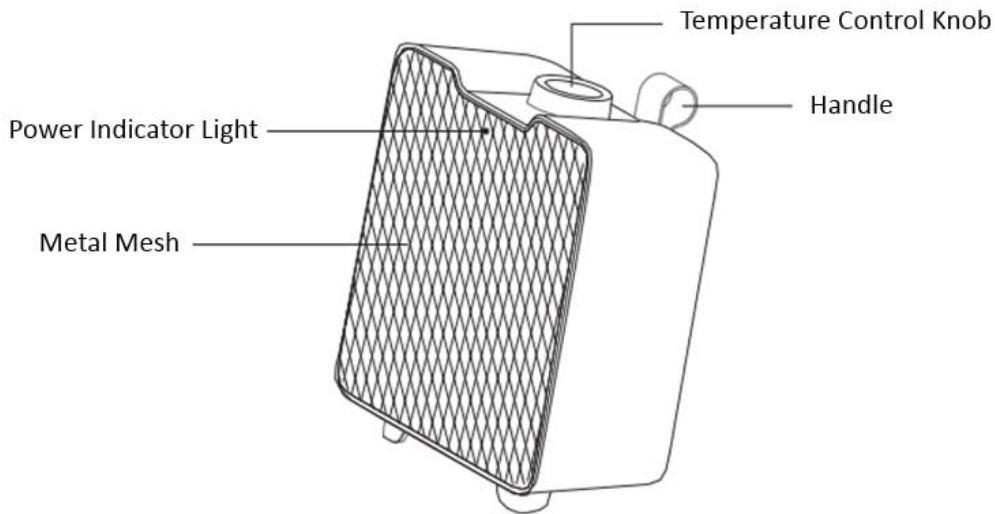
SAFETY PRECAUTIONS (Be sure to read carefully and follow these safety directions)

1. Please observe the following safety precautions when using this appliance:
 - Failure or negligence in observing these safety precautions could cause fire, electric shock or personal injury.
2. The user must use qualified socket with safety certification, or it may cause fire.
3. This appliance can be used by children aged from 8 years and above and persons with reduced physical, sensory or mental capabilities or lack of experience and knowledge if they have been given supervision or instruction concerning use of the appliance in a safe way and understand the hazards involved. Children shall not play with the appliance. Cleaning and user maintenance shall not be made by children without supervision.
4. Hold the plug when disconnect from the power supply, never pull the supply cord.
5. **WARNING:** Do not use this appliance in small rooms when they are occupied by persons not capable of leaving the room on their own, unless constant supervision is provided.
6. **WARNING:** To reduce the risk of electric shock, this plug is intended to fit in a correct outlet. If the plug of heater does not fit fully in the outlet, please contact a qualified electrician.
7. Make sure plug is fully inserted into socket. Loose engagement of main plug and socket may cause electric shock or fire due to overheating of the main plug.
8. Wipe off dust on the plug and socket periodically. Accumulation of dust on main plug may cause poor insulation and may result in fire.
9. Do not use the appliance when the power cord or plug is damaged. If the supply cord is damaged, it must be replaced by the Shun Hing Electric Service Centre Limited in order to avoid the hazard. If the power cord was damaged or the heater was malfunction, please take the heater to Shun Hing Electric Service Centre Limited for repairing, please do not dismount, repair or replace with parts and accessories without authorities.
10. Do not pinch, bend, or twist the power cord excessively. The core conductors may be exposed or broken which may cause electric shock, short circuit, fire and product damage.
11. Fully unwind the lead each time before use. Where possible, avoid using of extension cords because the extension cord may overheat and cause a risk of fire. Never use a single extension cord to operate more than one heater. And make sure no other appliances are plugged into the same socket with this heater. Otherwise, a socket overload could occur.
12. Do not contact with water. It may cause short circuit, product damage, fire and electric shock.
13.  **WARNING:** To avoid overheating, do not cover this product.
14. Please do not put any object on the appliance.
15. Never touch the appliance with wet hands to avoid electric shock.
16. Do not insert fingers or conductive object into the front air outlet and back air inlet of the machine to avoid the risk of human injury, electric shock, fire and product damage.
17. Avoid any shocks or concussions to the appliance.
18. Do not use this product outdoors, it is for indoor use only.

19. Do not use the appliance in the sunshine.
20. Put the power cord correctly in case trip over by the cord.
21. Put the appliance on the horizontal flat and stable ground, and make sure that the product does not encounter any obstructions when using the heater.
22. Do not put soft objects such as hair or curtains close to the heater to avoid getting caught in the fan when using the fan heater.
23. Do not use the heater under the following situation: Near gaseous fuel cooker/ Place full of inflammable gas/ Place expose to rain or water pour/ Near insecticide/ Oil corrosive solvent/ High temperature/ High humidity/ Near chemistry, oil, dust area
24. Please do not pour water into the machine or hang wet clothes over the machine so as to avoid current leakage and electric shock; Please do not put flammable materials and wet clothes covered on the air outlet so as to avoid risk of fire or electric shock.
25. Please do not spray solvent or flammable liquid to the heater as it may cause damage to the appliance.
26. Do not use this appliance in the immediate surroundings of a bath, a shower or a swimming pool.
27. Do not use this appliance if it has been dropped.
28. Please shut down the machine before the user leave the machine so as to avoid accidents. Please unplug the power when not in use.
29. Appliance is not located immediately below a socket-outlet.
30. Avoid continuously exposure of direct wind from the heater especially to infant and children.
31. The power must be cut off and unplugged before cleaning or maintenance.
32. Please clean the machine by using a damp cloth with some mild detergent, do not use corrosive detergent or solvent and similar cleaning products. Do not pour water into the machine.
33. WARNING: to reduce the risk of fire, please do not put the air intake and outlet of the appliance close to the wall or curtain. Keep textiles curtains, or any other flammable material a minimum distance of 1 metre from the air outlet.
34. If it occurs problems of abnormal sound or uneven wind speed after using for some time, perhaps there is too much dust in the air intake grid and make the air flow blocked, the heater could get right by cleaning the air intake grid with a brush.
35. Cut off the power if the unit is not used for a long period of time. Pull out the plug, pack the appliance well to protect it away from dust and keep it in the dry, well-ventilated and clean place.
36. Children of less than 3 years should be kept away unless continuously supervised.
37. Children aged from 3 years and less than 8 years shall only switch on/off the appliance provided that it has been placed or installed in its intended normal operating position and they have been given supervision or instruction concerning use of the appliance in a safe way and understand the hazards involved. Children aged from 3 years and less than 8 years shall not plug in, regulate and clean the appliance or perform user maintenance.
38. The appliance must not be used if the control panels are damaged.
39. CAUTION — After use, some parts of this product can become very hot and cause burns. Particular attention has to be given where children and vulnerable people are present.

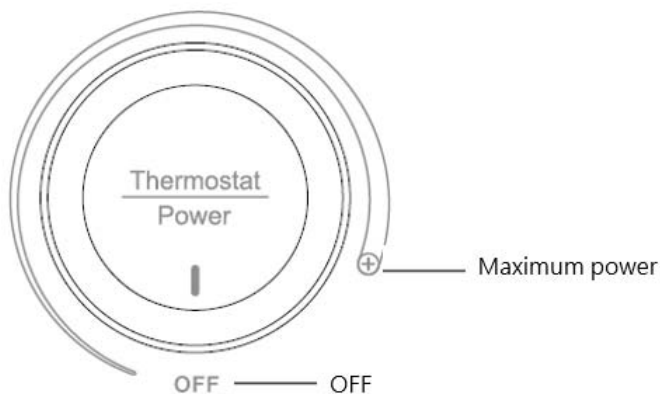
40. Do not use if there are visible signs of damage to the heater.

PARTS NAME



- CAUTION: The handle of heater cannot be used on the hook.

CONTROL PANEL



CLEANING AND MAINTENANCE

WARNING: ALWAYS UNPLUG THE CORD BEFORE MOVING OR SERVICING. DO NOT IMMERSE HEATER IN WATER!

Clean the heater at least once a month, more often if dirty.

Clean the heater air inlet and outlet grills with the vacuum brush attachment on your vacuum cleaner. This will remove lint and dirt from the inside of the heater.

Do not attempt to take the heater apart.

Do not remove grill guard or allow heater to be operated without grill guard in place

Clean the heater body with a soft cloth. (NEVER USE ABRASIVE/ ALCOHOL OR SOLVENTS.)


Storage


When you are not using the heater, store the heater with this instruction booklet in the original carton in a cool, dry place.

It is extremely important that the heater should be cooled down before storage.

HOW TO USE

Place the appliance on a stable flat surface. Insert the plug into a 220V-240V~50Hz electrical power supply outlet.

Turn on: turn the temperature control knob marking  clockwise, the heater starts to work, the power indicator light is on.


Turn off: turn the temperature control knob marking  counter-clockwise to the "OFF" position, the heater will stop working, the power indicator light is off, then unplug it.

Safety Features of Heating Function

1. A thermal protector is built-in to prevent overheating.
2. When an overheat temperature is reached, the appliance will be automatically shut off. It can only resume operation when the user resets the appliance.
3. Tip-Over Protection Feature will cut off the power when the unit falls over in any direction or is lifted. It is controlled by a Roll Ball Switch inside the unit, when shaking the unit, the switch will roll and make a sound, it is normal.

Troubleshooting Tips

If the below solutions cannot fix the problem, do not attempt to repair it by yourself. Please contact Shun Hing Electric Service Centre Ltd. for checking and repairing.

1. If your heater shuts off unexpectedly or fails to operate, one of the safety features may be activated to prevent overheating.
2. Be sure the power cord is plugged into a working electrical outlet.
3. Remove any obstructions.
4. Temperature control knob  is in the "OFF" position.

SPECIFICATION

Model	RA-CH18WS
Color	WHITE
Rated voltage	220-240V ~
Rated frequency	50Hz
Rated power	1800W
Dimension (W x D x H)	181.6 x 101.1 x201.4mm
Net weight	1kg (Approx.)

SPECIAL AVOWAL

1. The information above has been checked. Our company reserves the hermeneutic power to any printing errors or misunderstanding on the content.
2. If there are technical improvements on the appliance, the operation manual will be updated without any prior notice. The product appearance and color are subject to the actual appliance.
3. The e-copy of user manual can be sent by e-mail on requested, please call Shun Hing Electric Works & Engineering Co. Ltd. hotline at 2861 2767.

AFTER SALES SERVICES

For any defect, in the judgment of technician from Shun Hing Electric Service Centre Limited, caused under normal use, we are responsible for repairing or replacing parts of the said electrical appliance free of charge within one year guarantee period commencing from the date of purchase. Any defective part which has been replaced shall become our property. Guarantee service does not cover the repair or replacement of accessories, power cord or cabinet, etc. Additional charges shall be levied if services are required.

Please present the official invoice and the guarantee certificate with the sales point' s chop or the redemption center' s chop for free maintenance. For enquiries, please call Shun Hing Electric Service Centre Limited hotline at 2406 5666.

Free guarantee service will not be provided to the appliance if: 1) it has been explicitly or implicitly modified, tampered with, altered or repaired in any way by persons other than technicians of the Company. Or 2) it has been damaged through misuse, negligence, liquid ingress or corrosion, power interruption, natural calamities or accident or external factors. Or 3) it is not a fixed installation on land. Or 4) the normal operation of the appliance is affected by improper installation. Or 5) the domestic model of appliance is used for industrial or commercial purpose. Or 6) the change of location or ownership of the product and did not inform Shun Hing Electric Service Centre Limited.

信興電工工程有限公司

SHUN HING ELECTRIC WORKS & ENGINEERING CO., LTD

辦公室: 香港九龍尖沙咀東部麼地道 67 號半島中心 9 樓

OFFICE: 9/F, PENINSULA CENTRE, 67 MODY ROAD, TSIMSHATSUI EAST, KOWLOON, HONG KONG

電話 TEL: (852) 2861 2767 傳真 FAX: (852) 2865 6706

網址 WEBSITE: www.rasonic.com 電郵 EMAIL: shew@shunhinggroup.com

保養及維修 MAINTENANCE AND REPAIR SERVICE

信興電器服務中心有限公司

SHUN HING ELECTRIC SERVICE CENTRE LTD.

辦公室: 香港新界葵涌勝耀街 2 號信興中心 11 樓

OFFICE: 11TH FLOOR, SHUN HING CENTRE, 2 SHING YIU STREET, KWAI CHUNG, NEW TERRITORIES, HONG KONG

電話 TEL: (852) 2406 5666

傳真 FAX: (852) 2408 0316

網址 WEBSITE: www.shesc.com

消耗品/附件銷售熱線 CONSUMABLES/ ACCESSORIES SALES HOTLINE

電話 TEL: (852) 2406 5666

客戶服務中心 CUSTOMER SERVICE CENTRES

香港新界葵涌勝耀街 2 號信興中心 1 樓

1ST FLOOR, SHUN HING CENTRE, 2 SHING YIU STREET, KWAI CHUNG, NEW TERRITORIES, HONG KONG

電話 TEL: (852) 2406 5439

傳真 FAX: (852) 2408 1389

澳門慕拉士大馬路 193-199 號南嶺工業大廈 5 樓 I 座

AVENIDA DE VENCESLAU DE MORAIS, NO. 193-199, 5 ANDAR-I, EDF. INDUSTRIAL NAM LENG, MACAU

電話 TEL: (853) 2836 2928

傳真 FAX: (853) 2833 6405

有關最新之客戶服務中心資訊, 請參閱信興服務中心網址 www.shesc.com 或致電維修服務熱線查詢。

For the latest information of customer service centres, please visit www.shesc.com or call us at our hotline.